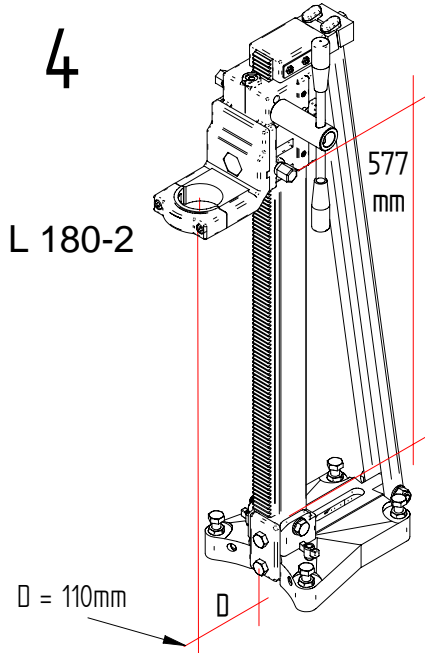
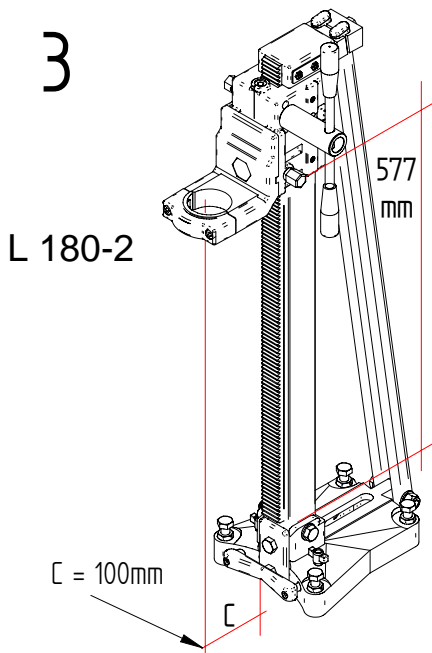
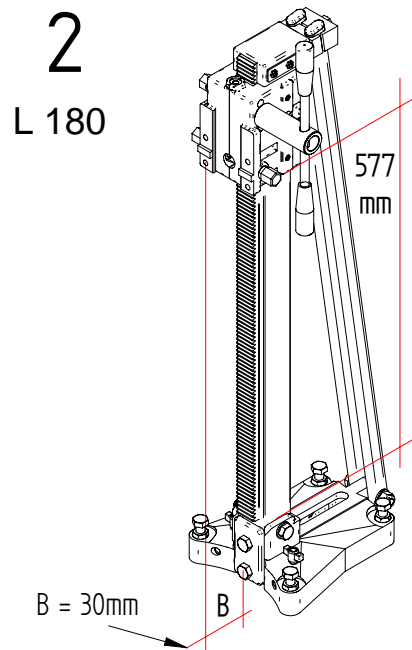
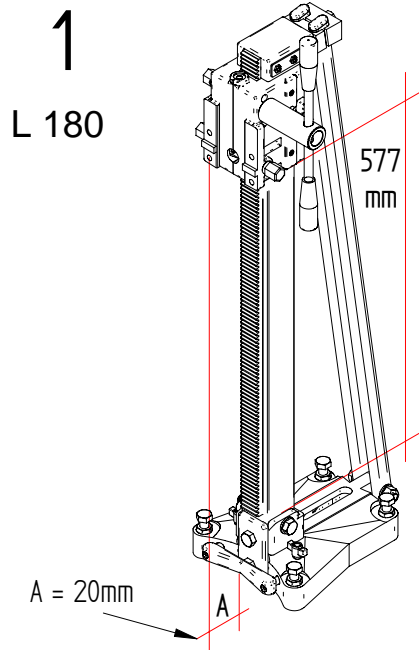
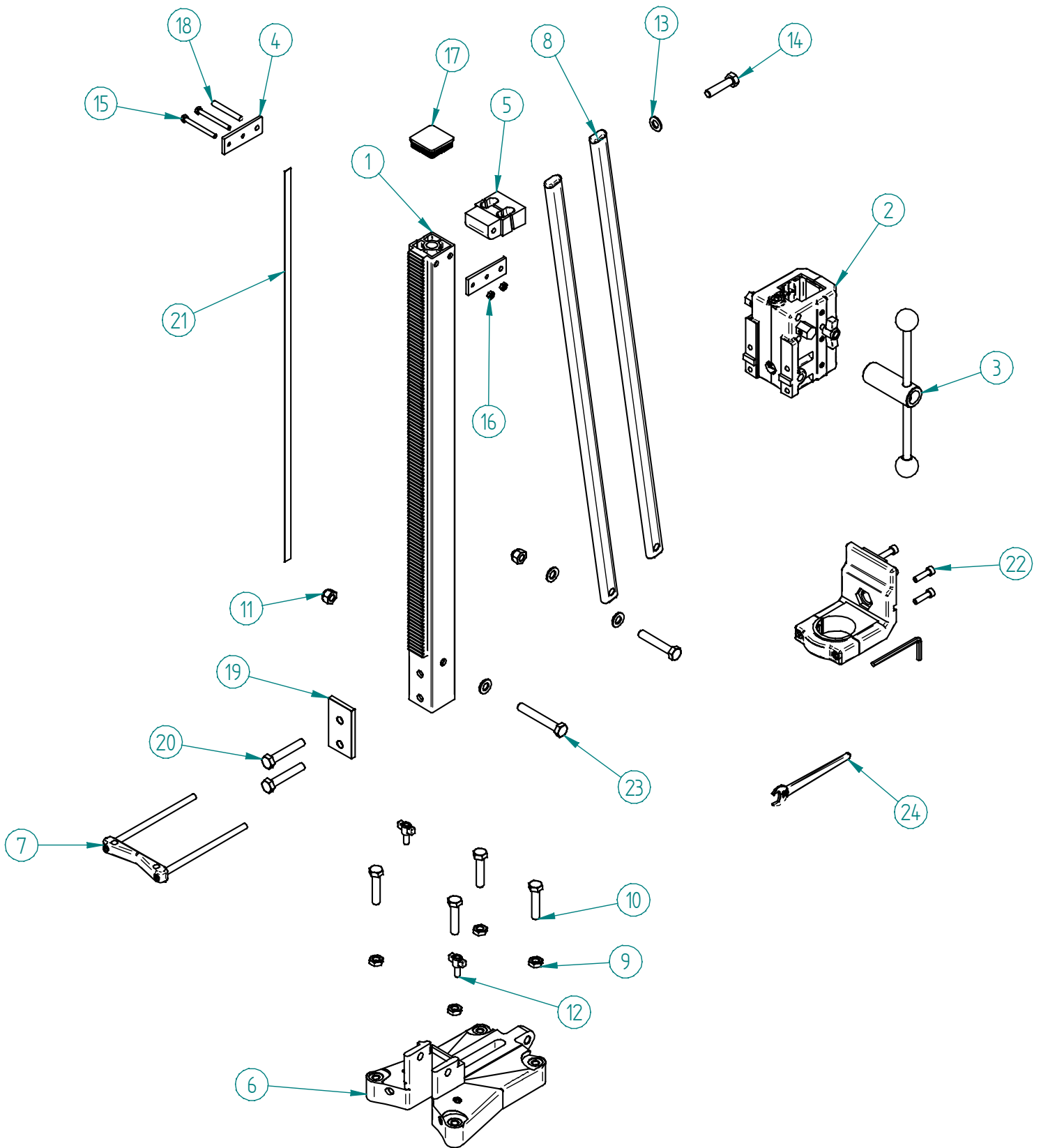


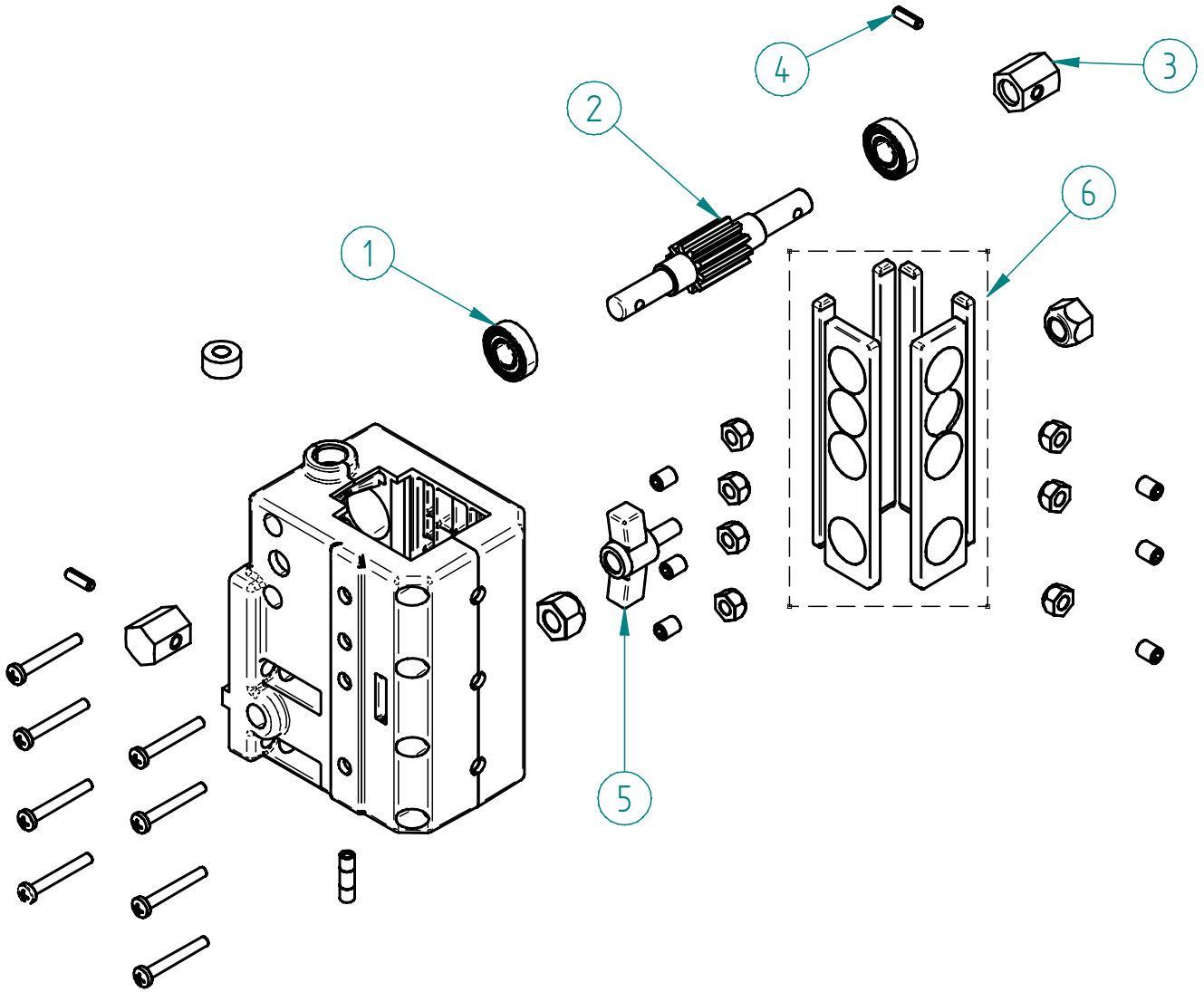
L 180





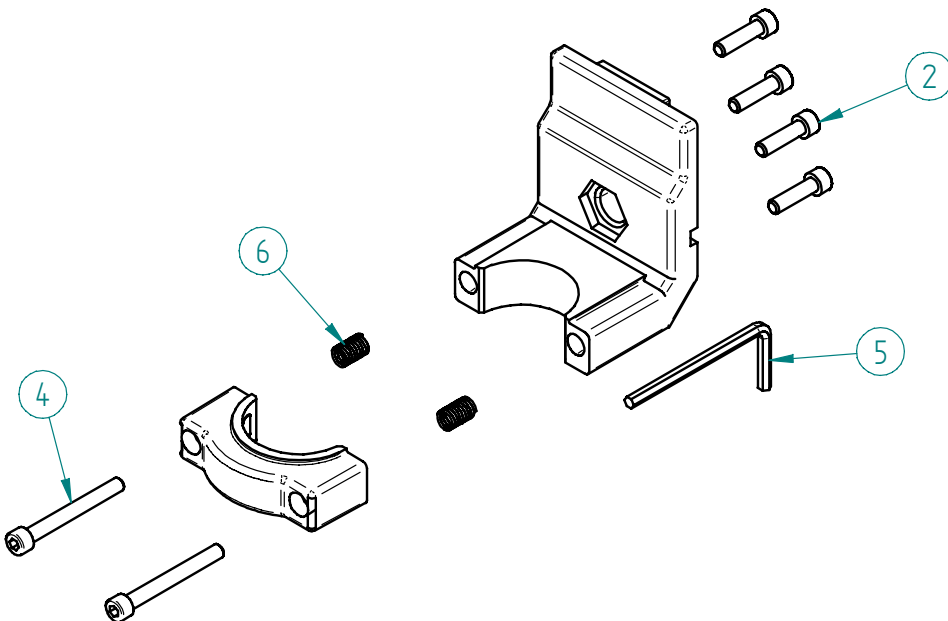
Item	Code	Qty.	Item	Code	Qty.	Item	Code	Qty.
1	505009	1	9	500663	4	17	504998	1
2	505073	1	10	500891	4	18	505060	1
3	505046	1	11	504237	2	19	505050	1
4	504999	2	12	505048	2	20	501579	3
5	505069	1	13	501578	4	21	505072	1
6	504977	1	14	503002	1	22	505035	1
7	505033	1	15	505058	2	23	505057	1
8	505024	2	16	505059	2	24	501163	1

Item 2 - Code 505073



Item	Code	Qty.	Item	Code	Qty.	Item	Code	Qty.
1	505078	2	3	505016	2	5	505049	1
2	505000	1	4	505052	2	6	505076	1

Item 22 - Code 505035



Item	Code	Qty.
2	502514	4
4	500774	2
5	502491	1
6	503664	2